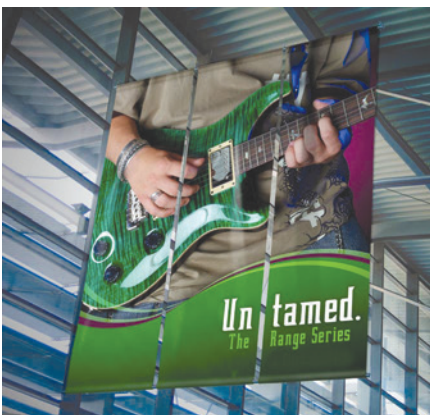


SYNERGIA H/UV

HYBRID FLATBED & ROLL-TO-ROLL UV PRINTER



GET TO KNOW NOVUS



The NOVUS Synergia advantage

The Synergia is powered by the patented RW Warp Engine™. True greyscale in 64,000+ shades using CMYK, Lc, Lm, Ly, Lk is achieved with dynamic variable drop technology. The variable drop technology uses less ink to achieve desired densities eliminating ink waste due to overlap. Micro-layer curing reduces curing energy enabling the ability to print on thinner substrates. Optional white ink and gamut boosters orange, gray, red and blue are available.

MATERIAL HANDLING

The best in hybrid material handling all comes together in the Synergia. That's because it's built for speed incorporating NOVUS' patented tri-lobal media transport belt to ensure accurate media tracking in roll or board mode. Its three zone intelligent vacuum system puts the right amount of vacuum where you need it, when you need it. The optional heavy-duty dancer bar with spreaders keeps even the most difficult roll media flat before it enters the print area.

PRODUCTIVITY

Synergia always prints true greyscale producing exceptional photo-realistic quality without the usual speed vs. quality trade-off. Sellable output is a reality at speeds of up to 1500 sqft/hr. Continuous print mode allows the Synergia to print without pause in roll or board mode.

CUSTOMER SUPPORT

Synergia is possibly the most serviceable grand format printer on the planet today. Comprehensive remote diagnostics enable easy resolution to typical production errors reducing downtime. Vision print head alignment means a print head can be replaced and aligned in as little as 10 minutes. Synergia is proudly made in the USA and backed by the NOVUS' one-year limited warranty.**



SYNERGIA H/UV

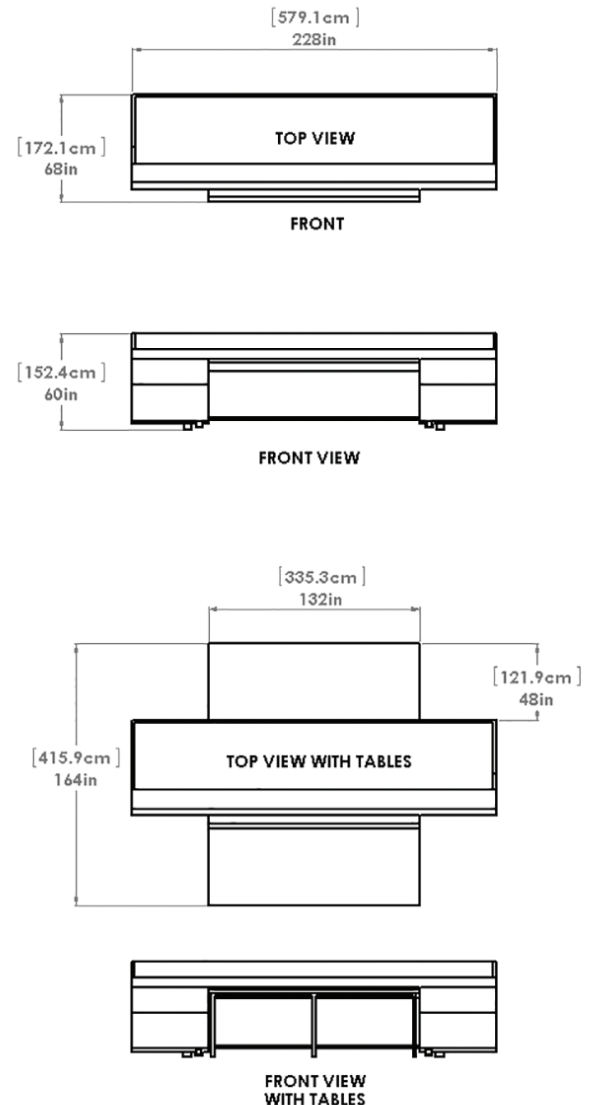
HYBRID FLATBED & ROLL-TO-ROLL UV PRINTER

TECHNICAL SPECIFICATIONS

Print Head	Dimatix Q-Class
Number of Print Heads	8 per color channel; up to 10 channels
Drop Size	10, 20 30 pl
Apparent Resolution	2400 dpi
Addressable Resolution	Full Greyscale Resolution
Interface	Athena Control Station
RIP	Caldera Grand RIP+
Max. Media Thickness	2 inches
Max. Media Width	126 inches (3.2m)
Power Requirement	3 Phase 208V / 40A / 50/60 Hz
Compressed Air	100 psi Clean Dry Air Only 9 cfm
Operating Temperature	55° to 85° F (13° to 29° C)
Humidity	>55% (non-condensing)
Ink	UV28 UV curable
Ink Colors	C, M, Y, K, Lc, Lm, Ly, Lk
Ink Options	White
Gamut Boosters	Orange, Gray, Red, Blue
Print Speeds*	
Fine Art Mode (std)	Up to 500 sqft/hr
(RW Warp Engine)	Up to 1000 sqft/hr
Quality Mode (std)	Up to 1010 sqft/hr
(RW Warp Engine)	Up to 2000 sqft/hr
Production Mode (std)	Up to 1500 sqft/hr
(RW Warp Engine)	Up to 3000 sqft/hr
High Speed Mode (std)	Up to 3000 sqft/hr
(RW Warp Engine)	Up to 3000 sqft/hr

*Speeds were measured using industry standard speed measurements. A white paper detailing the testing methods is available upon request.

** **Warranty:** One-year limited on parts and labor, excluding wear items and consumables. See Warranty Statement for full details.



1241 WHITTIER HWY., MOULTONBORO, NH 03254 • 603-250-1516 www.novusimaging.com