

ULTRA



GET TO KNOW NOVUS

DEDICATED 5'x10' UV LED FLATBED PRINTER

Novus Imaging is proud to bring to the wide format printing industry the ULTRA – the ultimate production-featured 5'x10' UV LED flatbed printer that is everything you would expect from Novus and more.



RAISING THE BAR IN DIGITAL FLATBED PRINTING

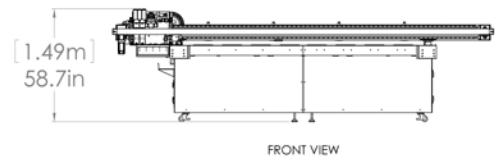
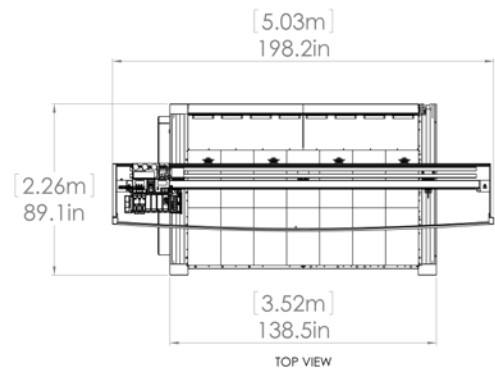
ULTRA is a state-of-the-art, industrial-grade flatbed printer designed and made in the USA by NOVUS Imaging, Inc. ULTRA's steel frame and high quality components coupled with ground breaking features – outstanding greyscale print quality and auto masking to save hours of set up time – combine to deliver a solid, dependable, built-to-last printer. A class above its competition...in all but price. ULTRA is available in three models to fit any budget and is field upgradeable to allow for more capacity as your business grows. Advanced UV LED curing and ink technology delivers low temperature curing and reliability without sacrificing print speed, color gamut, ink adhesion or media versatility. The ULTRA, redefining the digital flatbed market.

ULTRA and all NOVUS products are *proudly designed and manufactured in the USA*. ULTRA is backed by NOVUS' one-year limited warranty.*

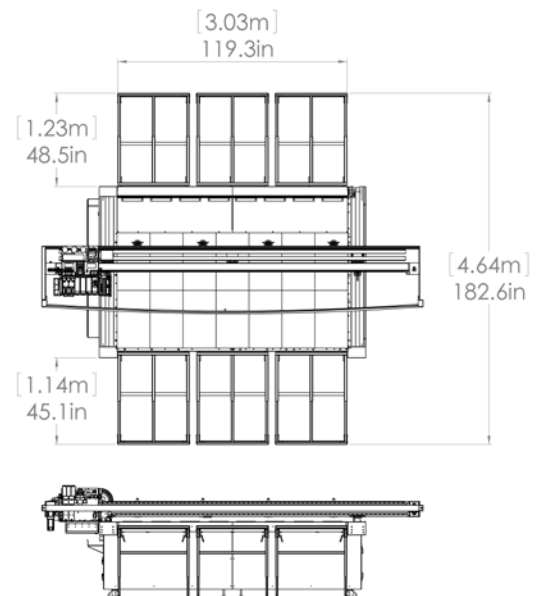


TECHNICAL SPECS

Print Head	Ricoh Gen5
Number of Print Heads	ULTRA I: 1 per color channel ULTRA II: 2 per color channel ULTRA III: 3 per color channel
Drop Size	7, 14, 21 pl variable drop
Addressable Resolution	Full greyscale resolution; 1200 dpi
Media Type	Sheeted Materials (rigid and flexible)
Max. Media Size	60" x 120" (1524 mm x 3048 mm)
Max. Media Thickness	2" (50.8mm)
Max. Media Weight	300 lbs.; not to exceed 5 lbs/sqft.
Ink Type	UV LED curable
Ink Colors	CMYK Standard
Optional Additional Colors	White, Varnish, Red, Green, Blue, Violet, Orange, Gray
Power Requirement	3 Phase 208V / 30a, 50/60 Hz
Compressed Air	100 psi, 9 cfm clean dry air
Operating Temperature	55° to 85° F (13° to 29° C)
Humidity	>55% (non-condensing)
Interface	ULTRA Control Station
Compatible RIPs	Caldera, Ergosoft, Onyx, ColorBurst
Optional Equipment	Single Rigid Sheet Auto Loader/Unloader
Printer Footprint	16' x 8' x 5'3"
with Loader/Unloader	16' x 16' x 5'3"
Working Area Allocation	20' x 20'
Shipping Weight	5000 lbs.
Machine Weight	4000 lbs.
Multiple Print Layers	Up to 21 Layers



With Loader/Unloader Option
tables unfolded



CUSTOMER SUPPORT

Comprehensive on-board and remote diagnostics enable quick and easy resolution to most production questions.

*Warranty: One-year limited on parts and labor, excluding consumables. See Warranty Statement for full details. Ask us about second and third year service options.



1241 WHITTIER HWY., MOULTONBORO, NH 03254 • 603-250-1516 www.novusimaging.com